

# Model FK24 Variable Speed Fan Kit

## Installation Instructions

The optional FK24 fan kit is designed to be installed in most CFM Corporation gas fireplaces. Please refer to the Installation Instructions provided with the fireplace the fan kit is to be installed in for additional information.

**NOTE: Make sure all power to the electrical supply has been turned off prior to beginning the installation.**

1. Hold the fan assembly so that the mounting bracket faces downward and the fan motor is furthest away from the fireplace. Slide the assembly through the access door on the left side of the valve control compartment.  
Turn the assembly ninety degrees around the valve so that it is parallel to the back. Next rotate the assembly so that the mounting bracket is turned up facing the back of the fireplace. Line up the bracket mounting holes with the screw studs on the back of the fireplace and fasten with #10-24 hex nuts.

2. Insert fan temperature sensor into retainer sensor box, then secure retainer sensor box onto the burner base with #10-24 hex nuts. (Fig. 1)

3. **(Option A)** - Place electronic fan speed control box on bottom of fireplace base, lining up mounting holes with screw studs. Fasten fan speed control box with #10-24 hex nuts.

**(Option B)** - The speed control can be installed in an electrical box at normal switch height for convenient access.

4. If using existing cord, plug in to the electrical box (EB1) (See EB1 instructions for installation).
5. For direct wiring remove junction box cover and disconnect the electrical cord. Remove electrical knockout on the side of the fireplace and feed electrical wires through the side and into the junction box. Connect ground wire to ground stud located on the base of box. Black wire from supply should connect to the variable speed switch. Alternate speed switch wire connects to temperature sensor. Alternate lead from sensor connects to fan. Alternate fan connects back to white supply wire.

**NOTE: The FK 24 comes with the electrical cord attached.**

**This fan does not need regular maintenance, however periodic cleaning is required. Check the area under the control door and in front of the fan and wipe or vacuum at least once a month during the operating season.**

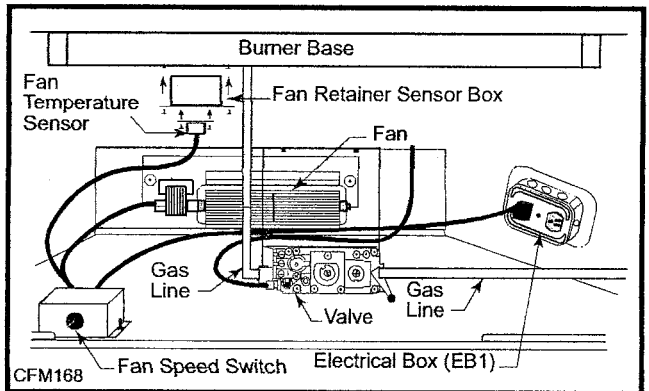


Fig. 1 FK24 installation.

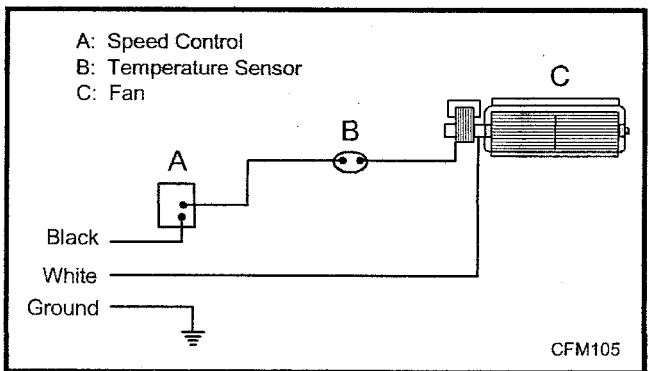


Fig. 2 FK24 wiring diagram.



### CFM Corporation

410 Admiral Blvd. • Mississauga, Ontario, Canada L5T 2N6 • 905-670-7777  
www.cfm majestic.com